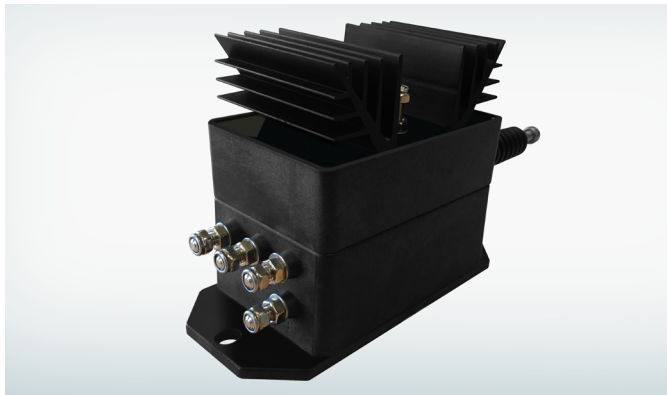
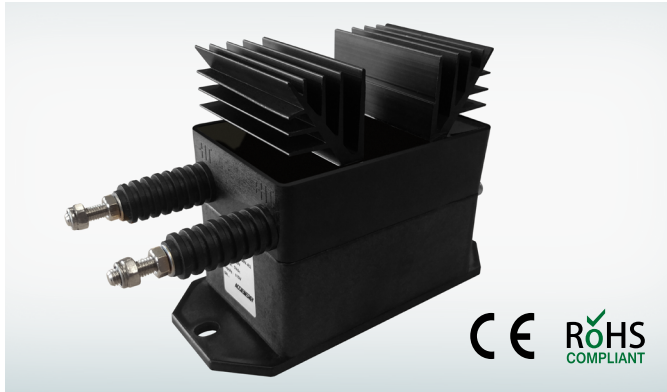
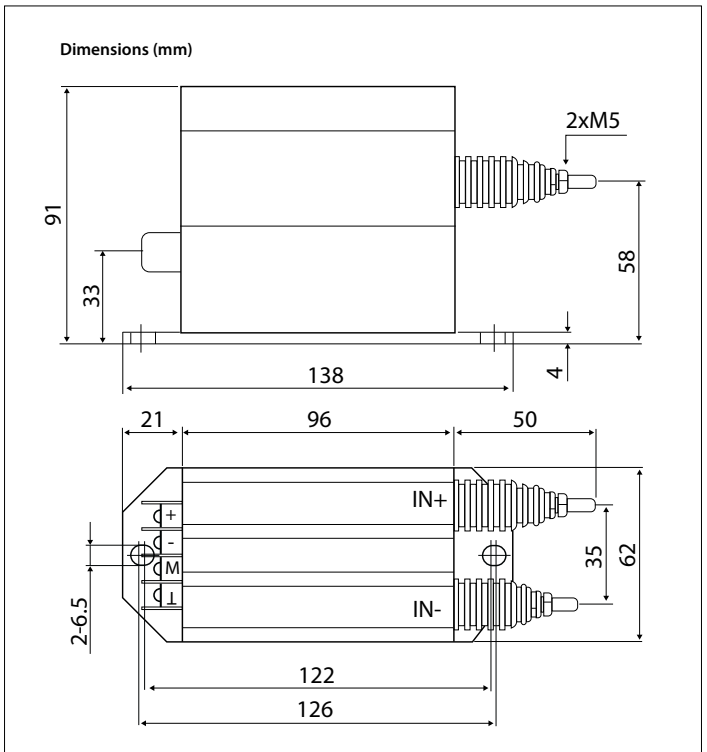


DC Voltage Hall Effect Sensor

Accuenergy's HV2 Voltage Hall Effect sensor is able to measure the DC voltage when the system voltage is higher than 1000V. The output signal is 0-5Vdc.



DIMENSIONS



SPECIFICATIONS

Rated input	1000V, 1200V, 1500V
Rated Output	0-5Vdc
Accuracy	0.5%
Power Supply	+/-15V(AcuDC 240 series multifunction DC Meter provides power supply from module directly without separate sourcing of power, select X5 module)

ORDERING INFORMATION

	Model	Current Input Rating	Output Option
Ordering Number			
Ordering Example	HV2	- 1000	- A3
		1000:1000V	A3: 0-5V
		1200: 1200V	
		1500:1500V	



Accuenergy Corp.
 Los Angeles-Toronto-Beijing
 North America Toll Free: 1-877-721-8908
 Web: www.accuenergy.com
 Email: marketing@accuenergy.com

